

## Chain elevator with bend

# T20 / T40 Chain elevator with bend

**Chain elevator type T20/T40 is made up of standard elements which, when correctly combined, can easily be fitted into any conveying installation.**

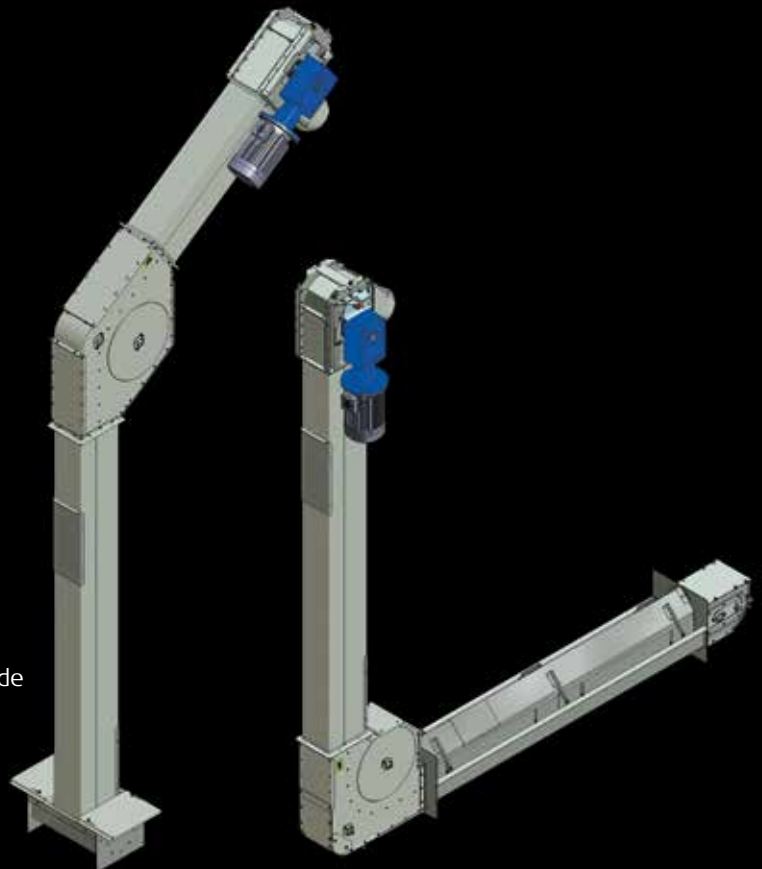
The JEMA AGRO chain elevator is made in galvanised material, which makes it particularly suitable for outdoor applications. It is characterised by large capacity despite its small external dimensions and ensures effective utilisation of the overall height since the outlet is positioned very high. The T20/T40 chain elevator is designed for transportation of grain, granulates, and other bulk goods. A quality roller chain fitted with rubber carriers ensures that all material transport is conducted quietly, safely, and effectively. The chain elevator can combine vertical and horizontal transport by using side augers in troughs or a 45°, 55°, or 90° bend. As regards capacity, the elevator is designed for lifting materials from a JEMA Dry Pit to storage or to a JEMA chain conveyor/belt conveyor.

### Standard equipment:

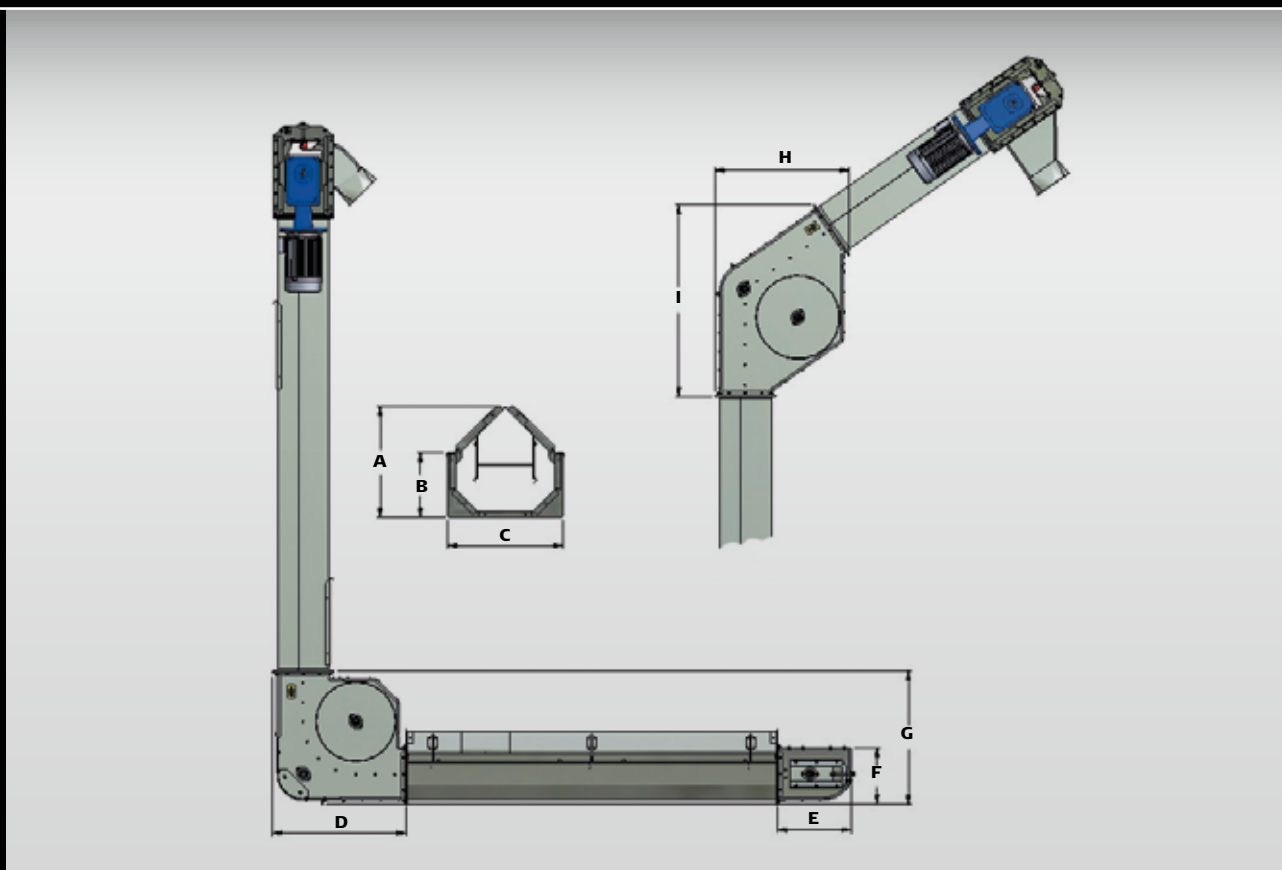
- Directly mounted gear motor
- Torque arm for shock absorption
- Outlet hopper 45°
- Bend 90°
- Inlet trough
- Tightening section
- Rubber carriers
- Extension 2,5 m with inspection cover
- Drive station with tensioner

### Accessories:

- Motor with v-belt pulley
- Cover for geared motor
- Outlet hopper 90°
- Bend 55°
- Auger in trough
- Elevator boot closed
- Flex elevator boot
- Inlet for flex elevator boot
- Extension with 45° inlet
- Inspection cover with 45° inlet
- Side inlet for flex elevator boot, 45t/h from one side
- Separate drive for auger
- Hopper
- Trough under elevator
- Elevator boot
- Impellers



# T20 / T40 Chain elevator with bend



## Dimensions T20/T40:

	A	B	C	D	E	F	G	H	I
T20 / T44	375	230	350	720	430	280	720	730	1045
T40 / T45	390	230	410	720	430	280	720	730	1045

## Technical specifications:

	T20	T40
Capacity based on 750 kg/m <sup>3</sup> (wheat) t/h	25 t/h	45 t/h
Capacity m <sup>3</sup> /h	33 m <sup>3</sup> /h	60 m <sup>3</sup> /h
RPM	280 o/m	280 o/m
Chain speed	1,71 m/s	1,71 m/s
Pitch on chain	41,4 mm	41,4 mm
Tensile strength(Dynamic)	min. 17,8 kN	min. 17,8 kN
Carrier, material	Rubber	Rubber
Plate thickness, drive station	3 mm	3 mm
Plate thickness, extensions	1,5 mm	1,5 mm
Plate thickness, inlet trough	1,5 mm	1,5 mm
Plate thickness, elevator boot/ tightening section	3/1,5 mm	3/1,5 mm