

# T20 / T40 Chain elevator

**Chain elevator type T20/T40 is made up of standard elements which, when correctly combined, can easily be fitted into any conveying installation.**

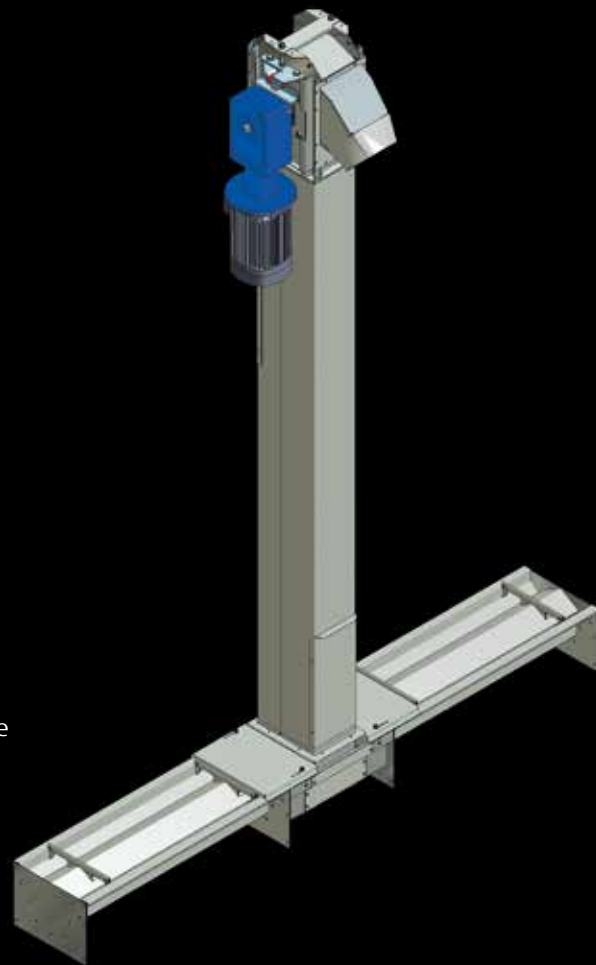
The JEMA AGRO chain elevator is made in galvanised material, which makes it particularly suitable for outdoor applications. It is characterised by large capacity despite its small external dimensions and ensures effective utilisation of the overall height since the outlet is positioned very high. The T20/T40 chain elevator is designed for transportation of grain, granulates, and other bulk goods. A quality roller chain fitted with rubber carriers ensures that all material transport is conducted quietly, safely, and effectively. The chain elevator can combine vertical and horizontal transport by using side augers in troughs or a 45°, 55°, or 90° bend. As regards capacity, the elevator is designed for lifting materials from a JEMA Dry Pit to storage or to a JEMA chain conveyor/belt conveyor.

### Standard equipment:

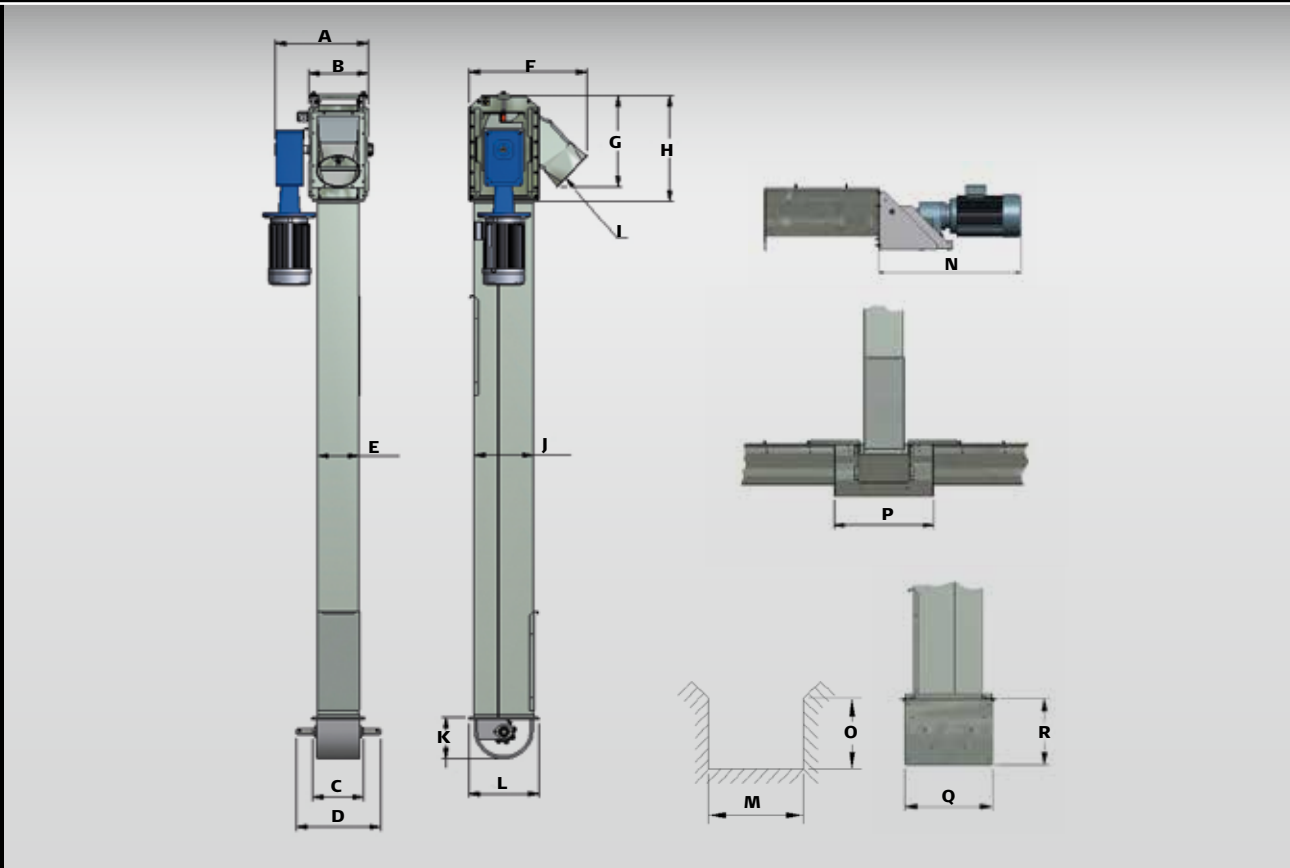
- Directly mounted gear motor
- Torque arm for shock absorption
- Outlet hopper 45°
- Rubber carriers
- Extension 2,5 m with inspection cover
- Elevator boot
- Trough under elevator
- Impellers
- Drive station with tensioner

### Accessories:

- Motor with v-belt pulley
- Cover for geared motor
- Outlet hopper 90°
- Auger in trough
- Elevator boot, closed
- Flex elevator boot
- Inlet for flex elevator boot
- Extension with 45° inlet
- Extension with tilting inlet
- Inspection cover with 45° inlet
- Side inlet for flex elevator boot, 45t/h from one side
- Separate drive for auger
- Hopper



# T20 / T40 Chain elevator



## Dimensions T20/T40:

	A	B	C	D	E	F	G	H	I	J
T20	378	215	175	335	164	530	430	500	OK160	278
T40	457	277	240	400	228	550	480	500	SK200	278

	K	L	M	N	O	P	Q	R	S
T20	215	320	400	760	300	500	365	265	265
T40	215	320	400	760	300	500	365	265	265

## Technical specifications:

	T20	T40
Capacity based on 750 kg/m <sup>3</sup> (wheat) t/h	25 t/h	45 t/h
Capacity m <sup>3</sup> /h	33 m <sup>3</sup> /h	60 m <sup>3</sup> /h
RPM	280 o/m	280 o/m
Chain speed	1,71 m/s	1,71 m/s
Pitch on chain	41,4 mm	41,4 mm
Tensile strength(Dynamic)	min. 17,8 kN	min. 17,8 kN
Carrier, material	Rubber	Rubber
Plate thickness, drive station	3 mm	3 mm
Plate thickness, extension	1,5 mm	1,5 mm
Plate thickness, auger in trough	1,5 mm	1,5 mm
Plate thickness, elevator boot	3 mm	3 mm