

# T44 / T45 Intake conveyor

**Intake conveyor type T44/T45 is made up of standard elements which, when correctly combined, can easily be fitted into any conveying installation.**

The JEMA AGRO intake conveyor is made in galvanised material, which makes it particularly suitable for outdoor applications. The intake conveyor is available in a horizontal design or with a 45° bend. It works effectively in both versions and has low power consumption in relation to its capacity.

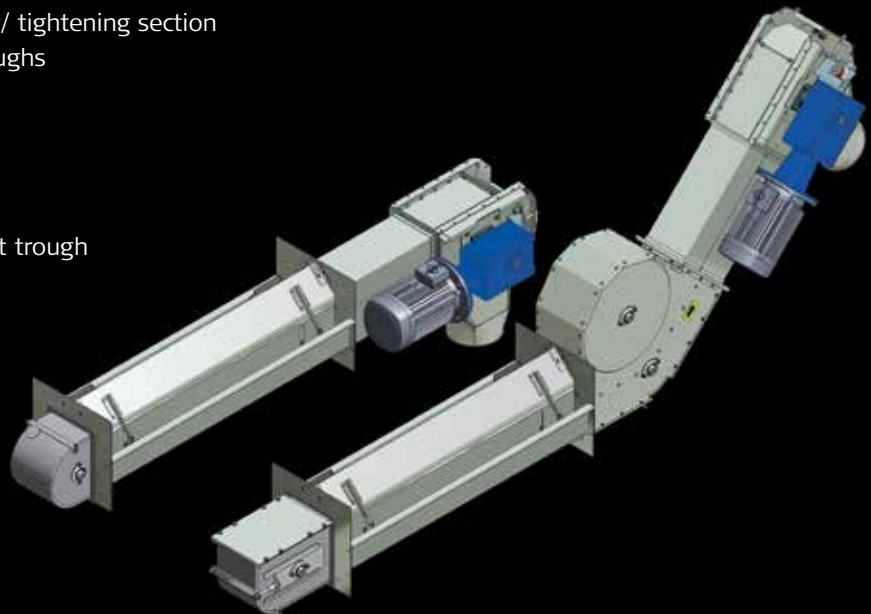
The T44/T45 intake conveyor is designed for transportation of grain, granulates, and other bulk goods. A quality roller chain fitted with rubber carriers ensures that all material transport is conducted quietly, safely, and effectively. The capacity can be controlled by adjusting the side plates in the inlet trough. As regards capacity, the intake conveyor is designed for transporting materials from a JEMA Dry Pit to a JEMA chain elevator or a JEMA bucket elevator.

### Standard equipment:

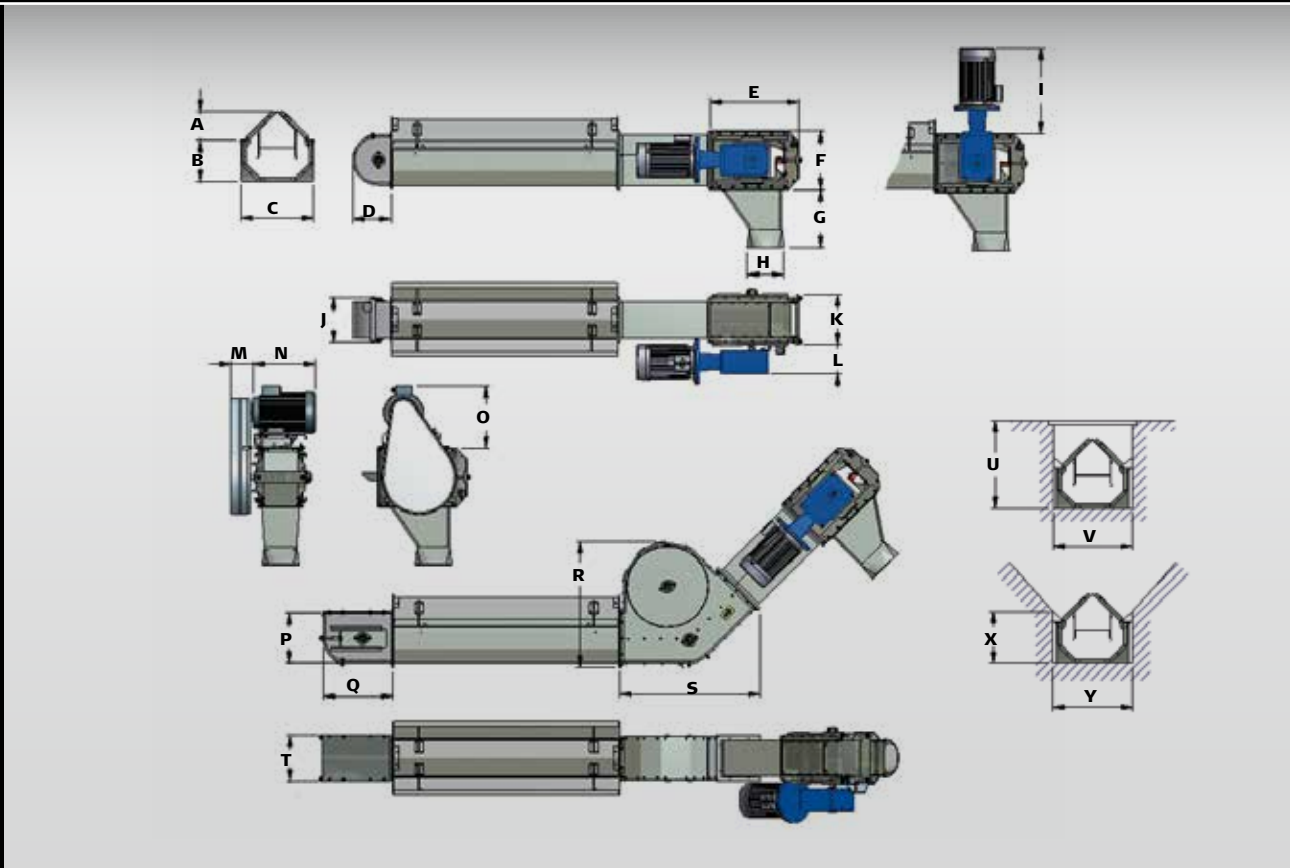
- Directly mounted gear motor
- Torque arm for shock absorption
- Outlet hopper 90°
- Rubber carriers
- Elevator boot/ tightening section
- Drive station with tensioner
- Inspection cover in elevator boot/ tightening section
- Adjustable plates in the inlet troughs

### Accessories:

- Motor with v-belt pulley
- Bend 45°
- Hopper with cover for 0,5 m inlet trough
- Cover for geared motor
- Tipping hopper
- Dry Pit



# T44 / T45 Intake conveyor



## Dimensions T44/T45:

	A	B	C	D	E	F	G	H	I	J	K	L
T44	150	225	340	215	500	328	330	SK200	580	190	225	200
T45	165	225	405	215	500	328	330	SK200	580	230	285	200

	M	N	O	P	Q	R	S	T	U	V	X	Y
T44	100	420	405	300	385	690	775	190	430	400	300	400
T45	100	420	405	300	385	690	775	225	470	460	300	460

## Technical specifications:

	T44	T45
Capacity based on 750 kg/m <sup>3</sup> (wheat) t/h	30 t/h	60 t/h
Capacity m <sup>3</sup> /h	40 m <sup>3</sup> /h	80 m <sup>3</sup> /h
RPM	180 o/m	180 o/m
Chain speed	1,1 m/s	1,1 m/s
Pitch on chain.	41,4 mm	41,4 mm
Tensile strength(Dynamic)	min. 17,8 kN	min. 17,8 kN
Carrier, material	Rubber	Rubber
Plate thickness, drive station	3 mm	3 mm
Plate thickness, boot/ tightening section	3/1,5 mm	3/1,5 mm
Plate thickness, extension	1,5 mm	1,5 mm