

Belt conveyor

T50 / T51 / T52 Belt conveyor

Belt conveyor type T50/T51/T52 is made up of standard elements which, when correctly combined, can easily be fitted into any conveying installation.

The JEMA AGRO belt conveyor is manufactured in galvanised steel and designed in a light and easy-to-assemble modular system. Type T50 is designed with sliding profiles, whereas types T51 and T52 are designed with guide rollers. All three types are quiet and have low power consumption in relation to their capacity.

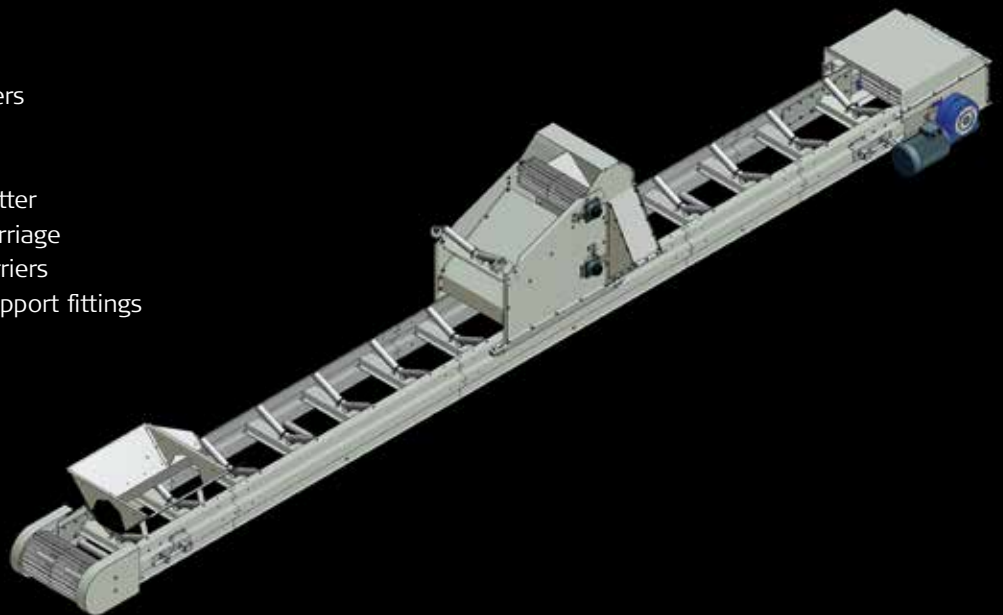
The belt conveyor can transport materials in both directions. There is also a possibility for transport at an upward angle of up to 30° using carriers, however, with reduced capacity. The belt conveyor is well-suited to safe and effective transportation of most materials.

Standard equipment:

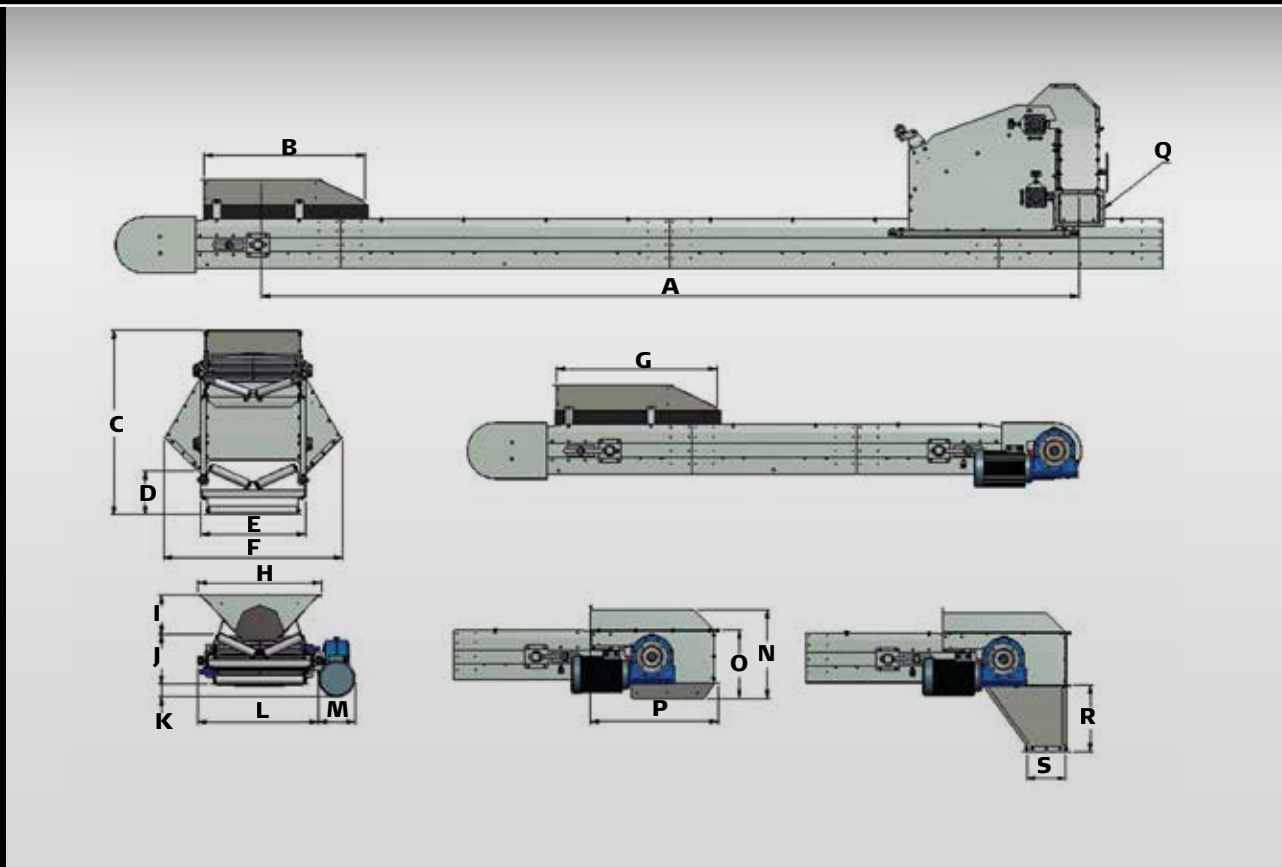
- Directly mounted gear motor
- Torque arm for shock absorption
- EP-belt
- Support rollers each 0,5 m
- Sliding profiles each 0,5 m
- Returning rollers each 2,0 m
- Shielding for drive station /tightening section
- Tightening in both drive station and tightening section

Accessories:

- Inlet hoppers
- Outlet skirts/outlet hoppers
- Cover for top/bottom
- Speed control monitor
- Removable discharge shutter
- Drive winch for tripper carriage
- Belt with vulcanised v-carriers
- Runners for adjustable support fittings
- Belt guide rollers
- Belt scraper internal
- Belt scraper external
- Side extensions
- Oil resistant belt
- Outlet deviser



T50 / T51 / T52 Belt conveyor



Dimensions T50/T51/T52:

	A	B	C	D	E	F	G	H	I
T50	Min. 5000	1000	955	320	535	1000	1000	650	215
T51	Min. 5000	1000	1150	300	635	1100	1000	750	215
T52	Min. 5000	1150	1225	300	785	1330	1150	900	215

	J	K	L	M	N	O	P	Q	R	S
T50	300	70	650	200	540	415	780	240 x 240	400	240 x 240
T51	300	70	750	200	540	415	780	240 x 240	400	240 x 240
T52	300	70	900	200	540	415	780	300 x 300	400	300 x 300

Technical specifications:

	T50	T51	T52
Capacity based on 750 kg/m ³ (wheat) t/h	60 t/h	105 t/h	150 t/h
Capacity m ³ /h	80 m ³ /h	140 m ³ /h	200 m ³ /h
RPM	150 o/min	150 o/min	150 o/min
Belt speed	2,3 m/s	2,3 m/s	2,3 m/s
Drum diameter	Ø300 mm	Ø300 mm	Ø300 mm
Belt width	400 mm	500 mm	650 mm
Belt type	EP250/2	EP250/2	EP250/2
Plate thickness, drive station/ tightening section	2/3 mm	2/3 mm	2/3 mm
Plate thickness, extension	2/3 mm	2/3 mm	2/3 mm