

Bucket elevator

T53 / T54 / T55 Bucket elevator

Bucket elevator type T53/T54/T55 is made up of standard elements which, when correctly combined, can easily be fitted into any conveying installation.

The JEMA AGRO bucket elevator is made in galvanised steel, which makes it particularly suitable for outdoor applications. All three types work efficiently and have low power consumption in relation to their capacity. We have designed them to be stable in tall versions and to be capable of running continuously for many hours. The bucket elevator is designed for transportation of grain, granulates, and other bulk goods.

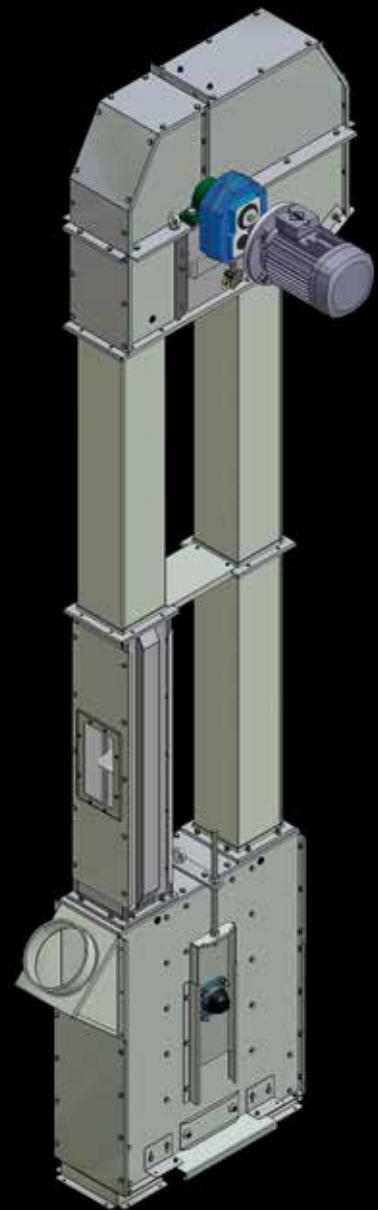
As regards capacity, the elevator is designed for lifting materials from a JEMA intake conveyor to a JEMA chain conveyor. The upward and downward side of the bucket elevator can be fed with the same capacity.

Standard equipment:

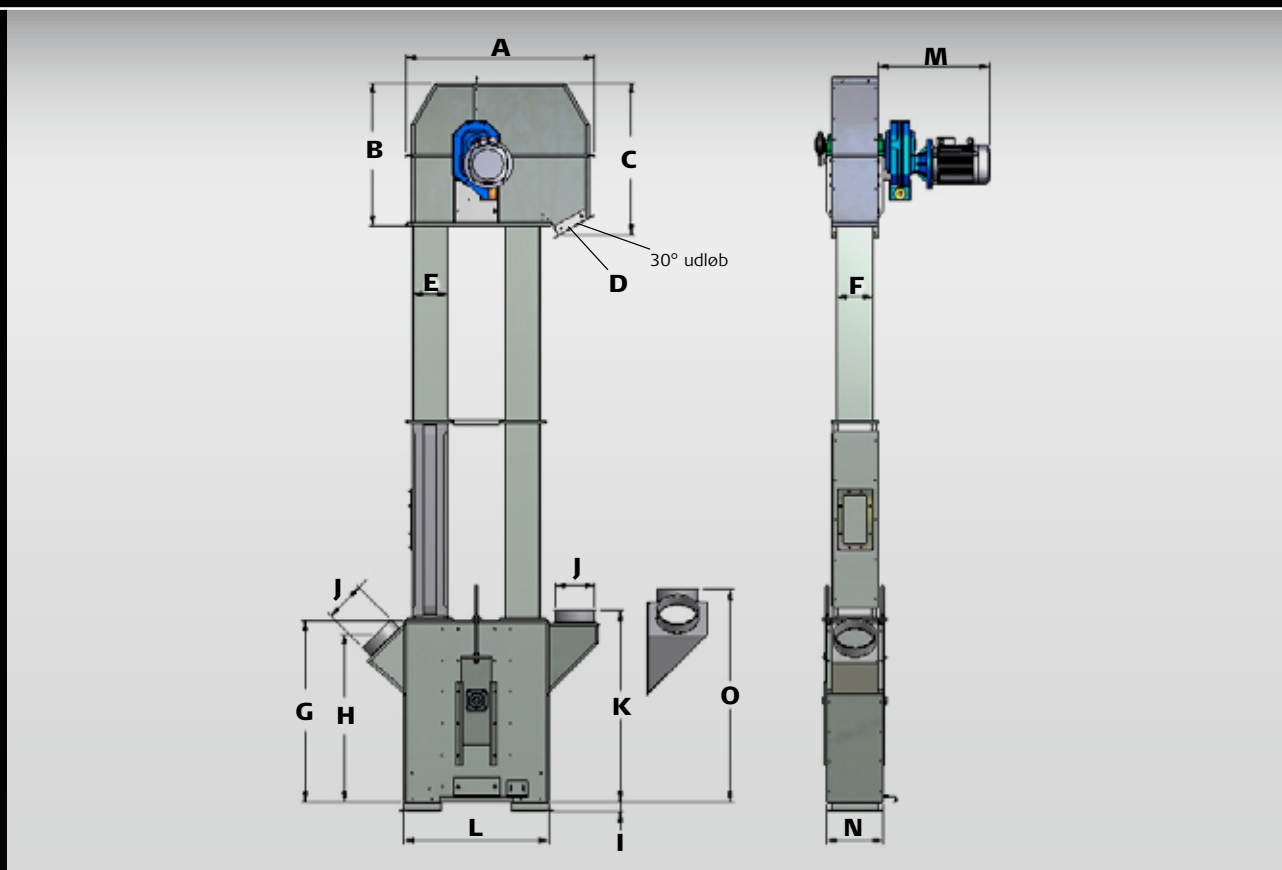
- Directly mounted gear motor
- Torque arm for shock absorption
- Wear plate in elevator head
- Removable elevator top
- Self cleaning drive/ tightening drum
- Tightening function in elevator boot
- Cleaning hatch in elevator boot
- Elevator feet
- Inlet piece 90°
- Elevator extension with inspection cover
- Back stop
- Speed control monitor
- Antistatic belt with steel bucket

Accessories:

- Cover for geared motor
- Inlet piece 45° and 3-way inlet
- 2-way switch 45°/90°, transition pieces and pipe
- Inlet shutter
- Aspiration socket
- Misalignment sensor
- Explosion outlet
- Oil resistant belt
- Extra feet
- Service platform, ladder, and resting platform



T53 / T54 / T55 Bucket elevator



Dimensions T53/T54/T55:

	A	B	C	D	E	F	G	H	I	J
T53	960	740	800	180x180	180	180	920	850	50	d200
T54	1292	1041	1086	240x240	240	240	1150	1062	56	d250
T55	1292	1041	1086	300x300	240	300	1150	1062	56	d300

	K	L	M 2,2 kW	M 3 kW	M 4 kW	M 5,5 kW	M 7,5 kW	M 11 kW	M 15 kW	N	O
T53	980	740	500	555	595	635				290	1124
T54	1210	1090		625	675	715	790	835		384	1485
T55	1210	1090		625	675	715	790	835	955	440	1539

Technical specifications:

	T53	T54	T55
Capacity based on 750 kg/m ³ (wheat) t/h	30/60 t/h	105 t/h	150 t/h
Capacity m ³ /h	40/80 m ³ /h	140 m ³ /h	200 m ³ /h
RPM/ belt speed	223/3,5 m/s	142/3,7 m/s	142/3,7 m/s
Drum diameter	Ø300 mm	Ø500 mm	Ø500 mm
Bucket/m. belt	6/10 stk.	8,5 stk.	7 stk.
Bucket volume, horizontal/max	0,5/0,68 liter	0,9/1,29 liter	2,4/3,08 liter
Material thickness, buckets	1,5 mm	1,5 mm	2,0 mm
Belt width	150 mm	200 mm	280 mm
Belt type/standard	EP500/4	EP500/4	EP500/4
Plate thickness, head/boot	2,0 mm	3,0 mm	3,0 mm
Plate thickness, extension	1,5 mm	1,5 mm	2,0 mm